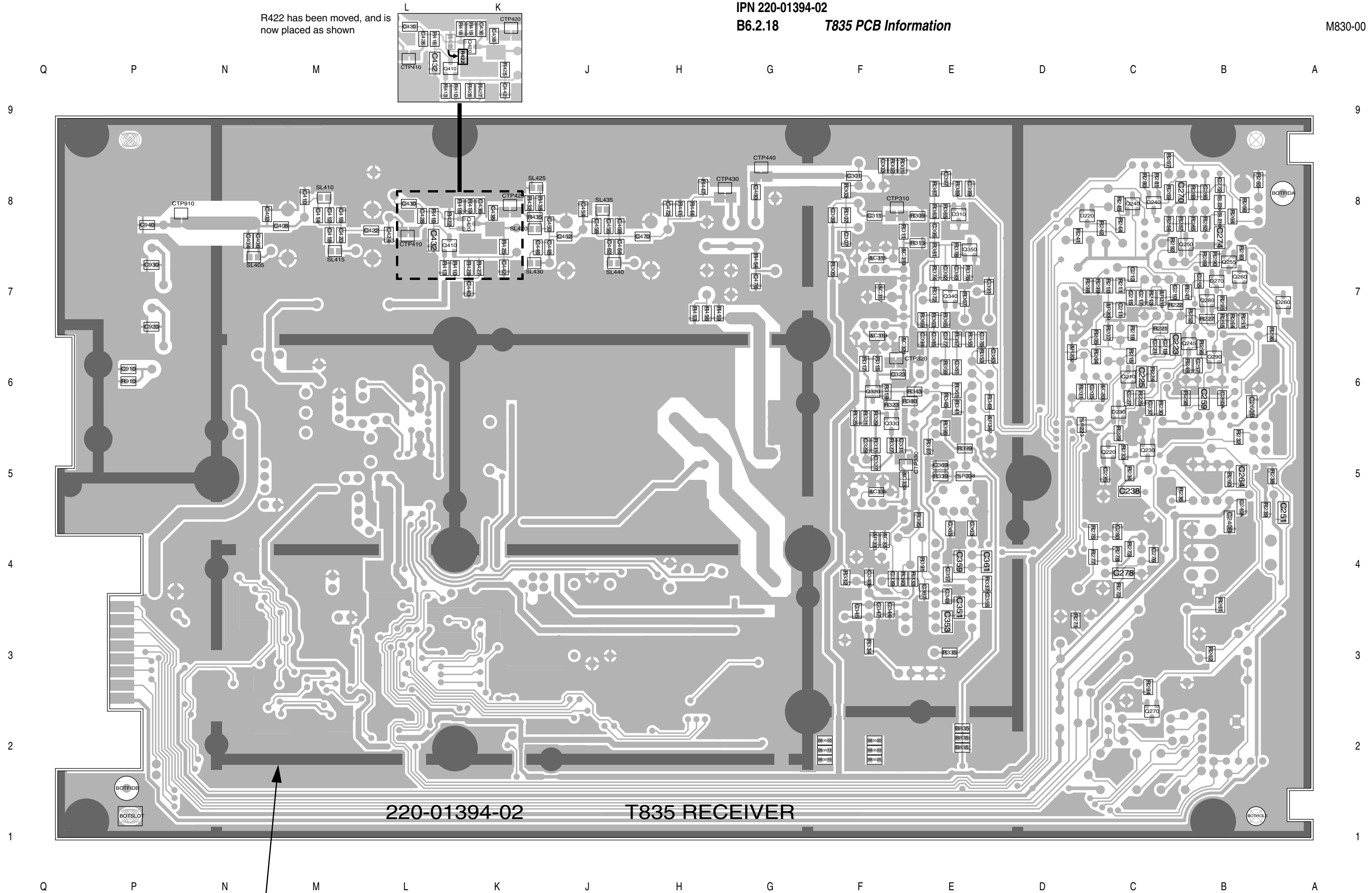


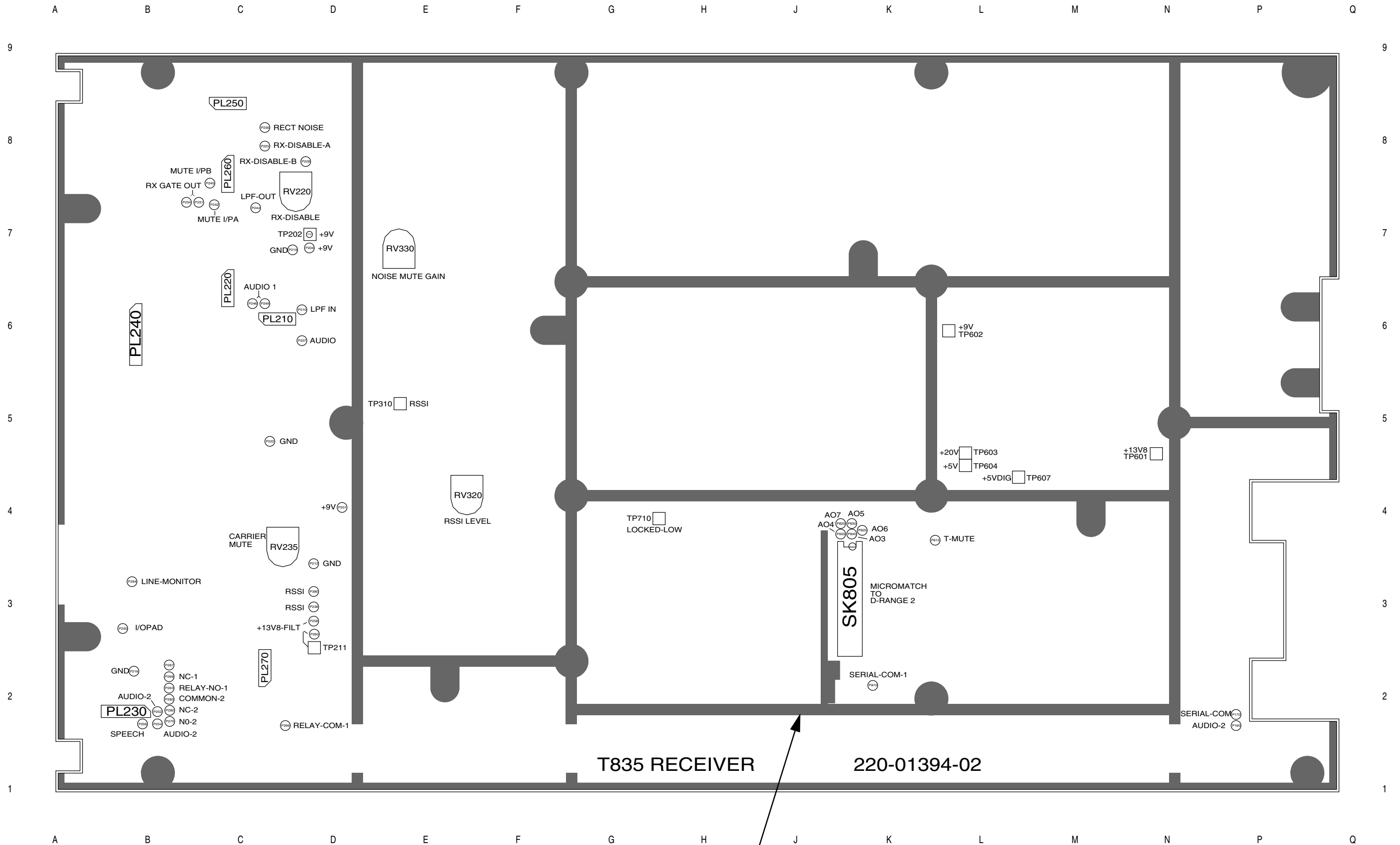
R422 has been moved, and is now placed as shown



220-01394-02 T835 RECEIVER

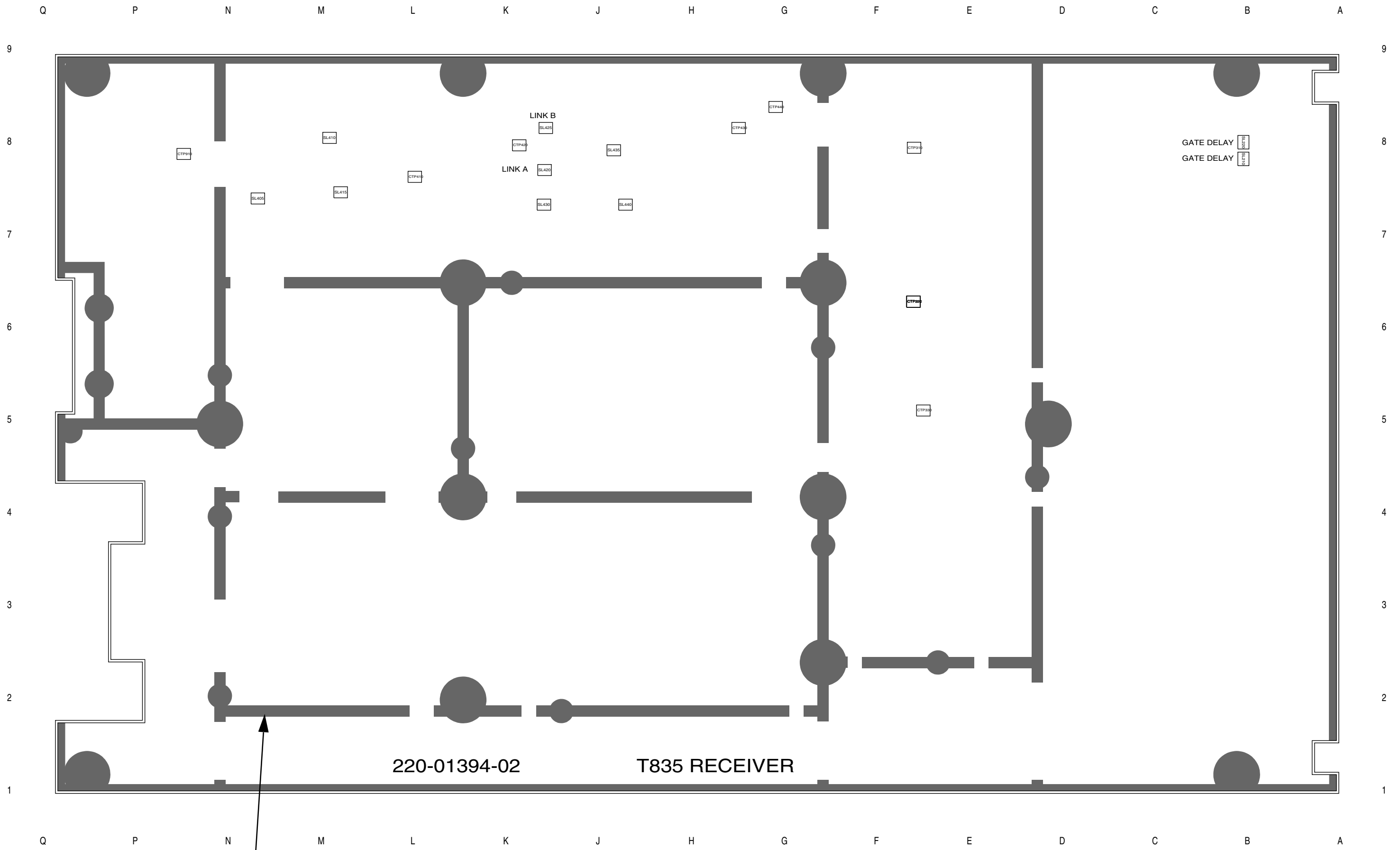
The darker shading shows the footprint of the bottom cover.

T835 PCB Layout - Bottom Side
220-01394-02

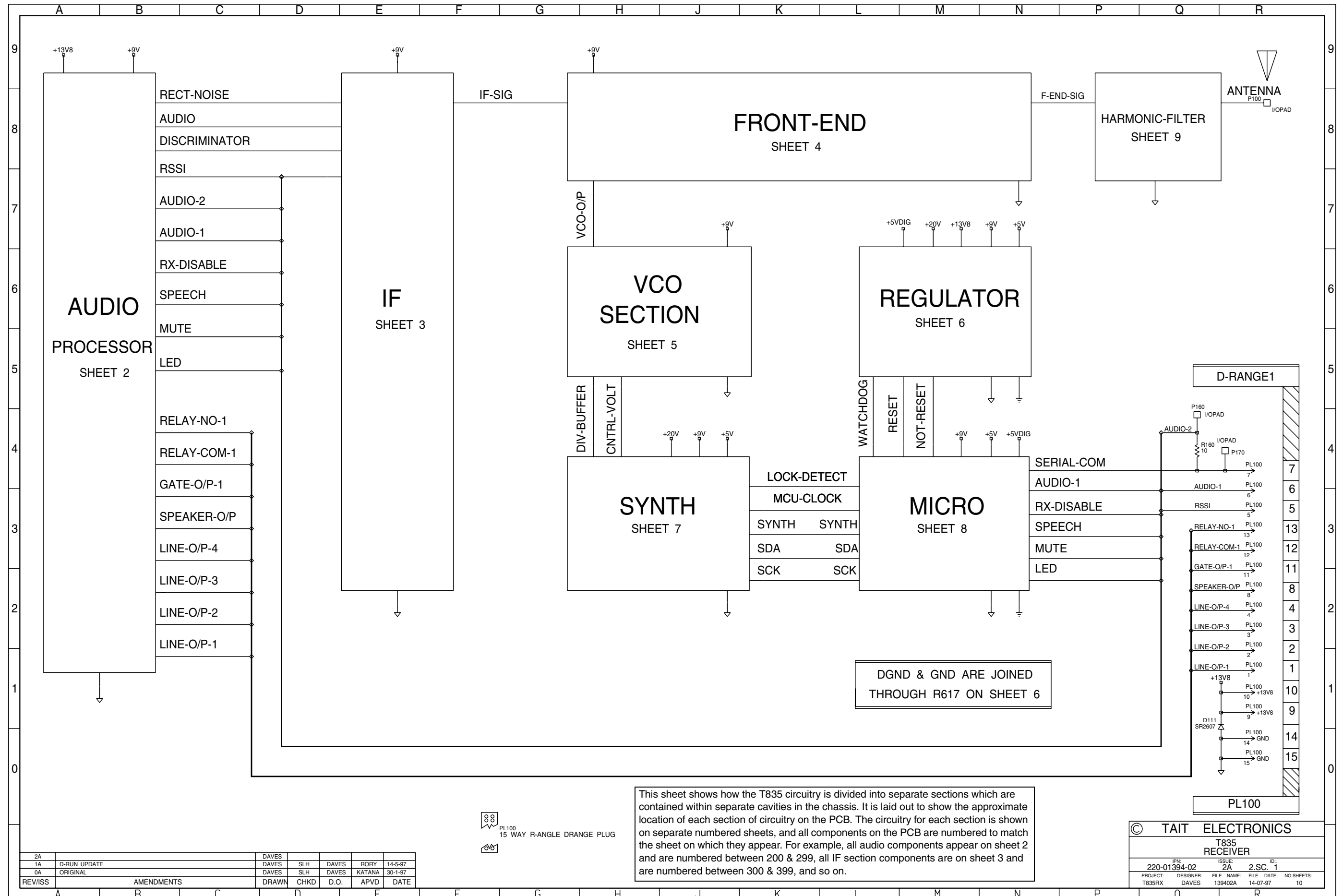


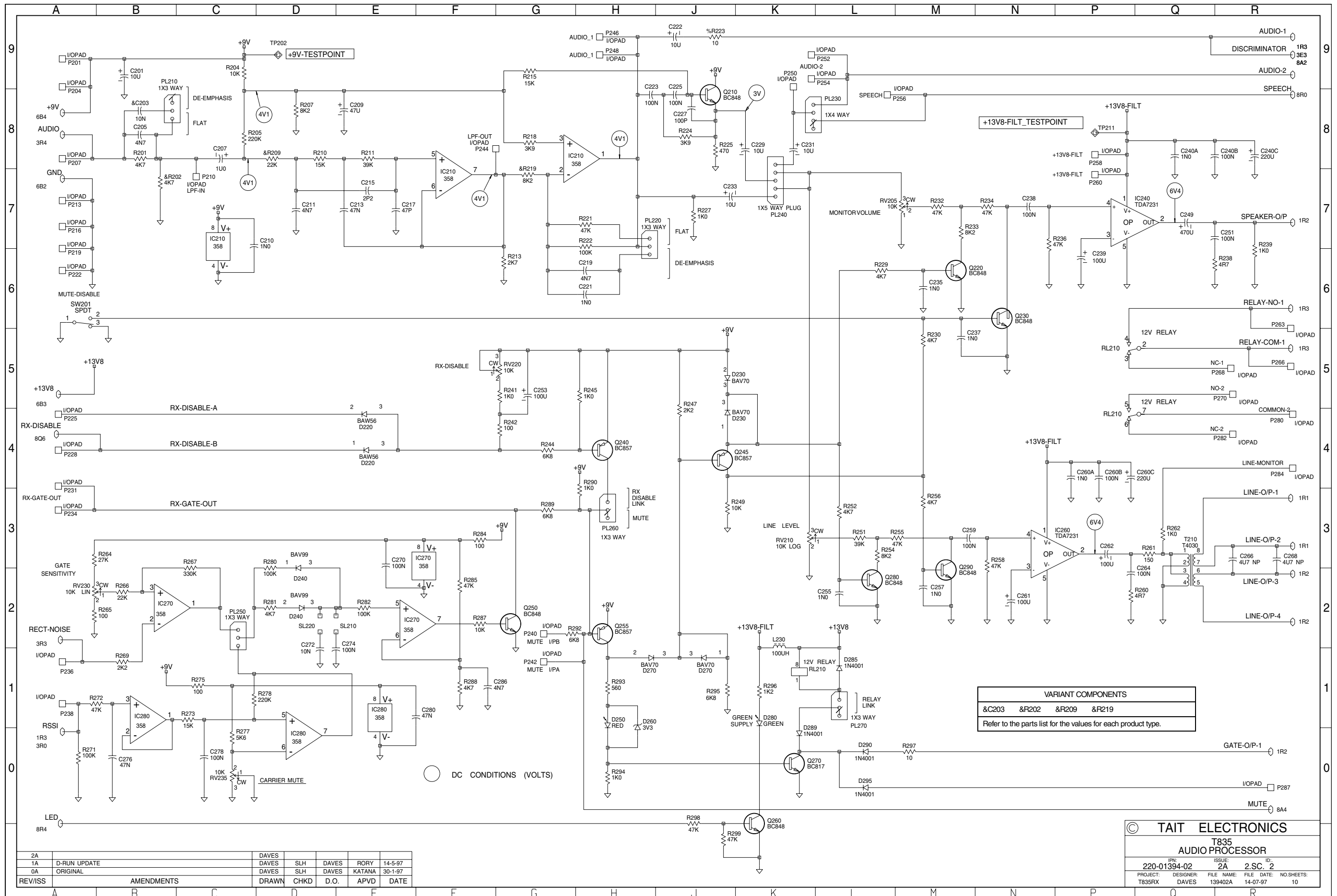
T835 RECEIVER 220-01394-02

The darker shading shows the outline of the chassis.



The darker shading shows the footprint of the bottom cover.



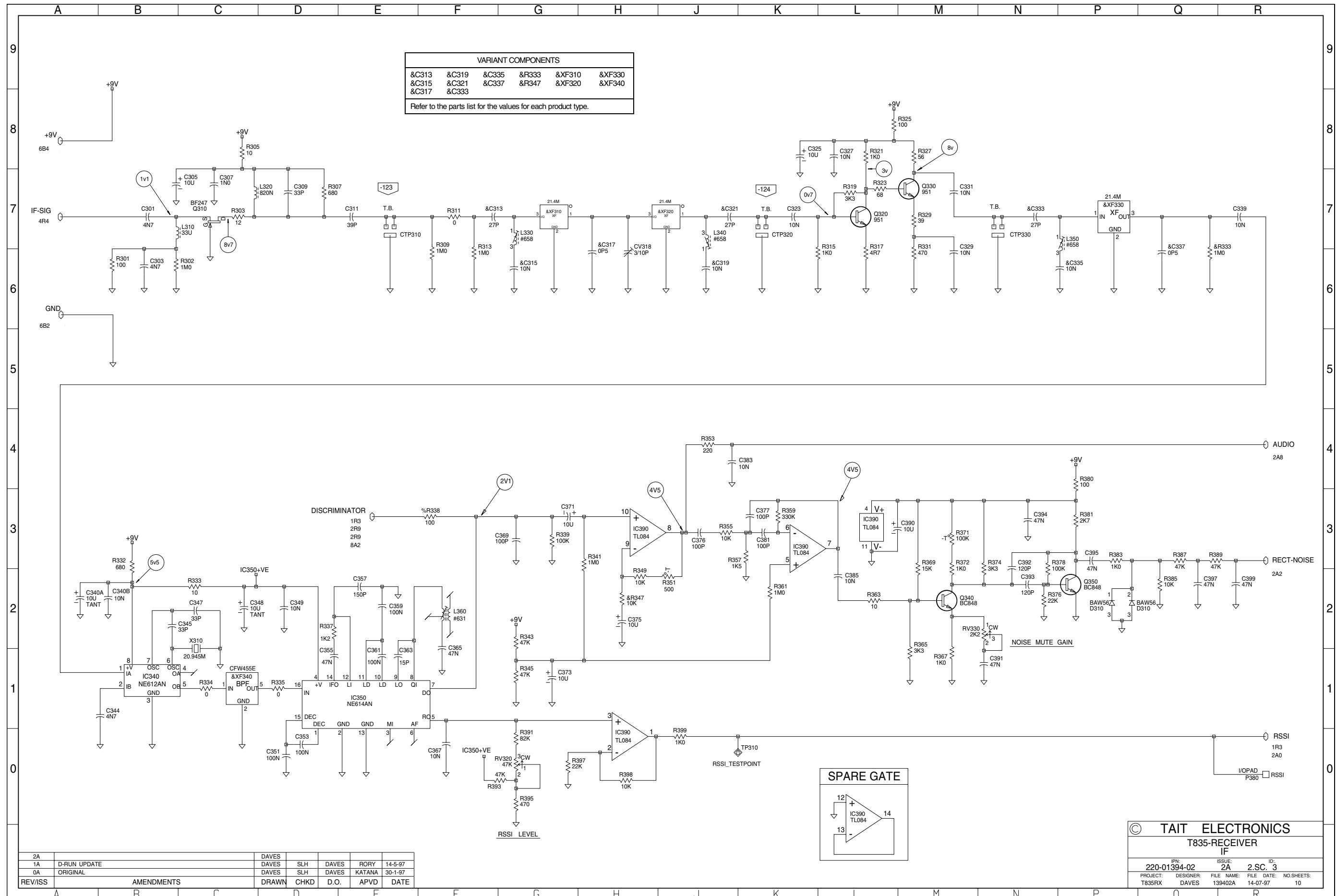


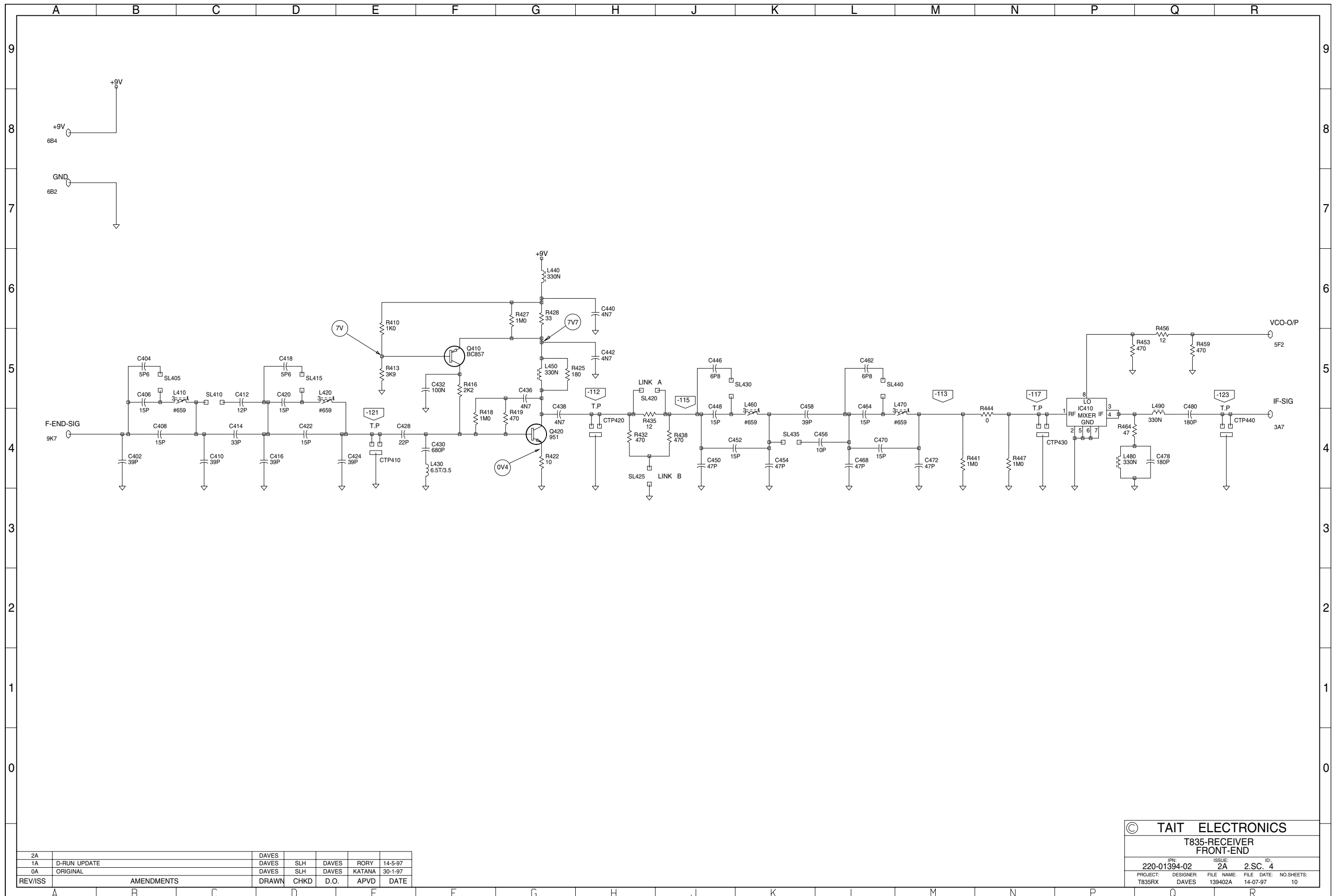
TAIT ELECTRONICS

**T835
AUDIO PROCESSOR**

IPN: 220-01394-02 ISSUE: 2A ID: 2.S.C. 2

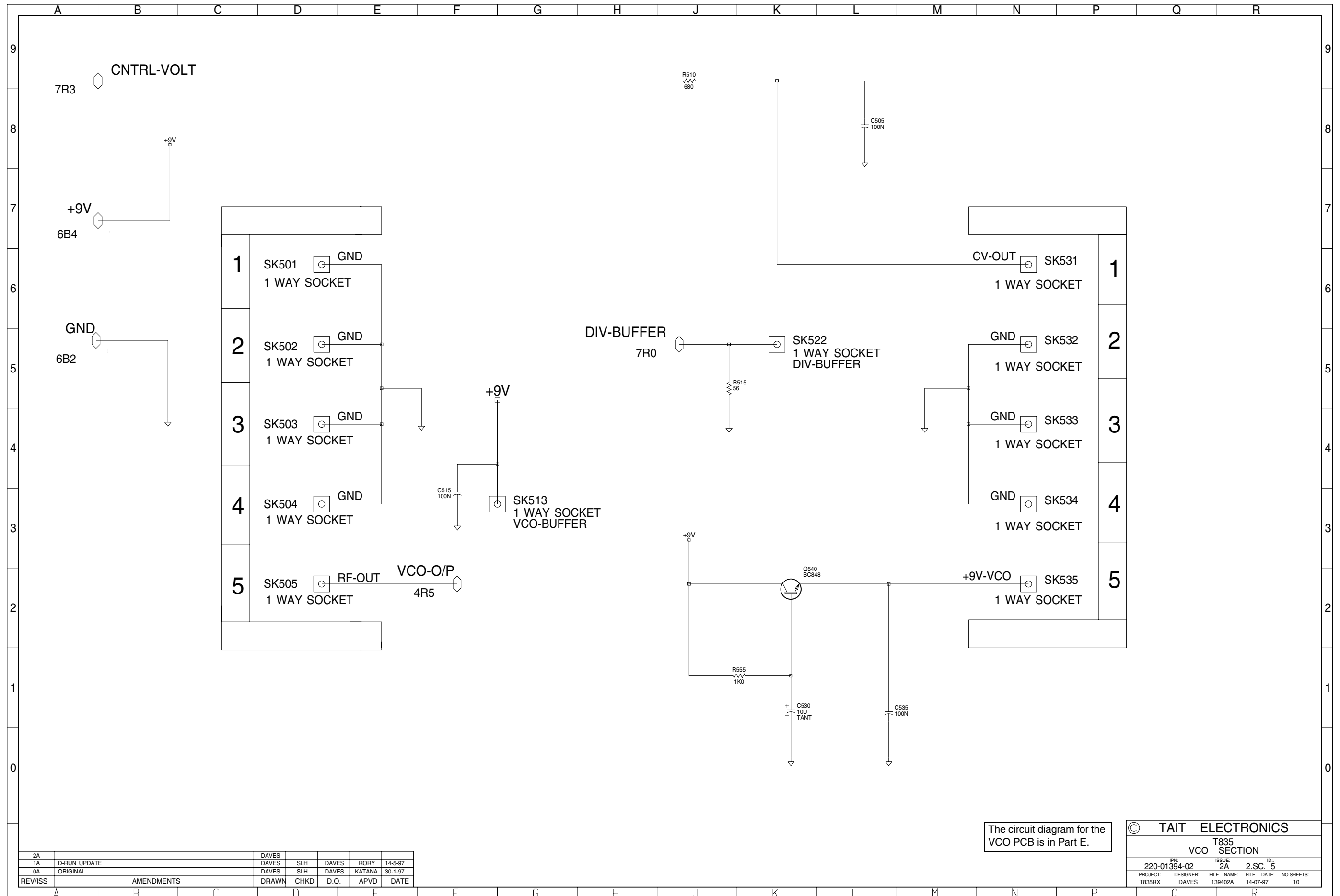
PROJECT: T835RX DESIGNER: DAVES FILE NAME: 139402A FILE DATE: 14-07-97 NO.SHEETS: 10





2A		DAVES				
1A	D-RUN UPDATE	DAVES	SLH	DAVES	RORY	14-5-97
0A	ORIGINAL	DAVES	SLH	DAVES	KATANA	30-1-97
REV/ISS	AMENDMENTS	DRAWN	CHKD	D.O.	APVD	DATE

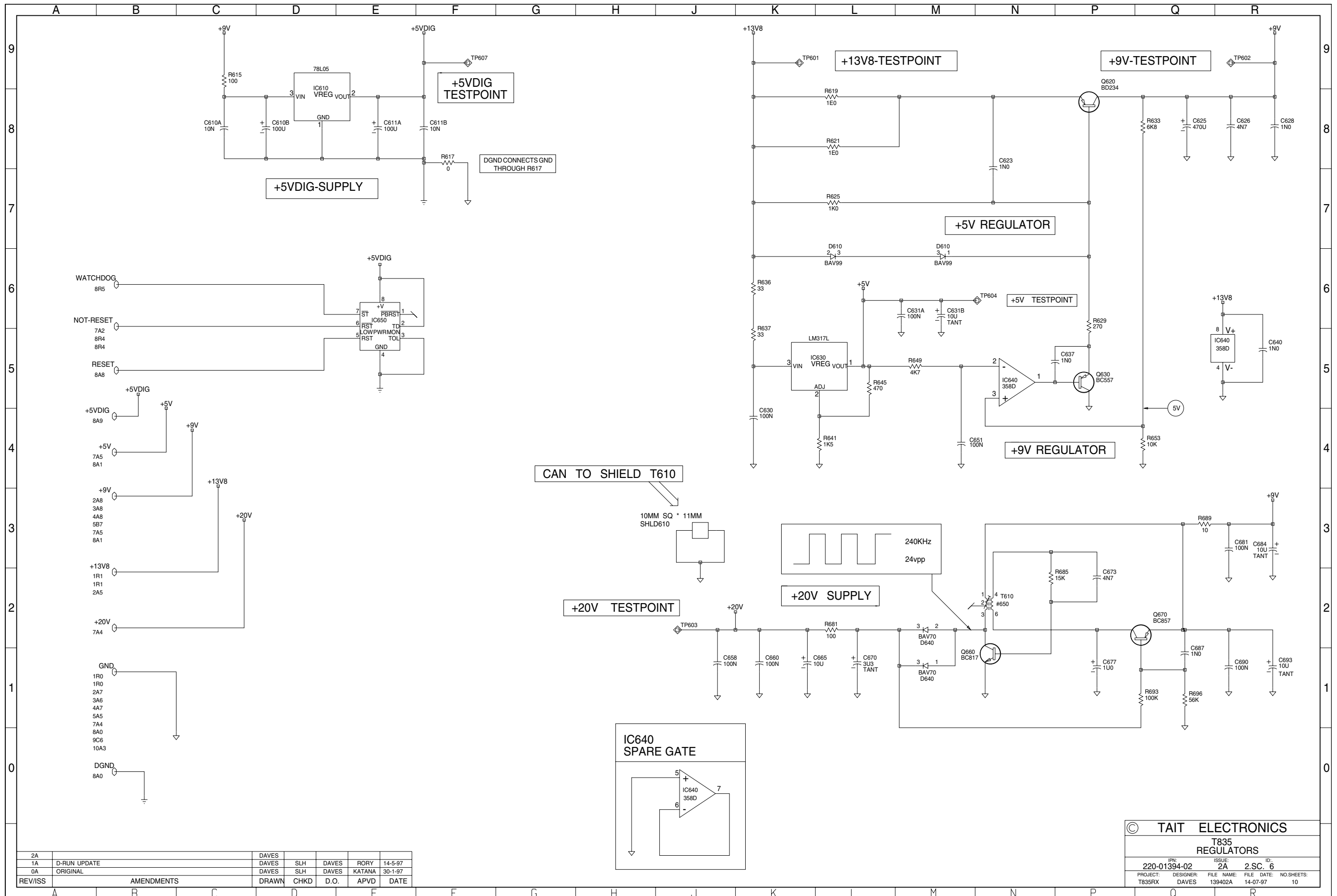
© TAIT ELECTRONICS					
T835-RECEIVER FRONT-END					
IPN:	220-01394-02	ISSUE:	2A	ID:	2.S.C. 4
PROJECT:	T835RX	DESIGNER:	DAVES	FILE NAME:	139402A
		FILE DATE:	14-07-97	NO.SHEETS:	10



2A		DAVES				
1A	D-RUN UPDATE	DAVES	SLH	DAVES	RORY	14-5-97
0A	ORIGINAL	DAVES	SLH	DAVES	KATANA	30-1-97
REV/ISS	AMENDMENTS	DRAWN	CHKD	D.O.	APVD	DATE

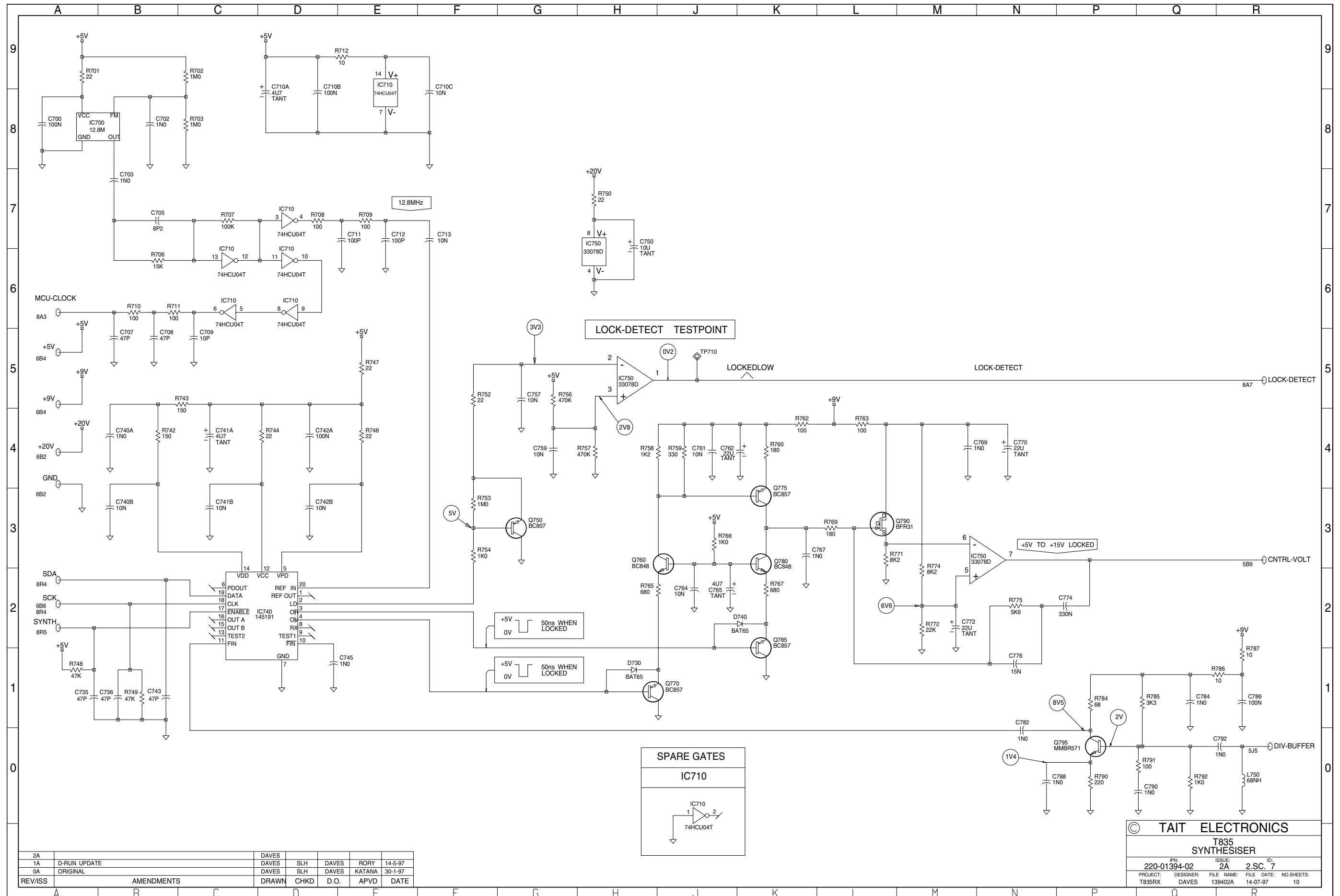
The circuit diagram for the VCO PCB is in Part E.

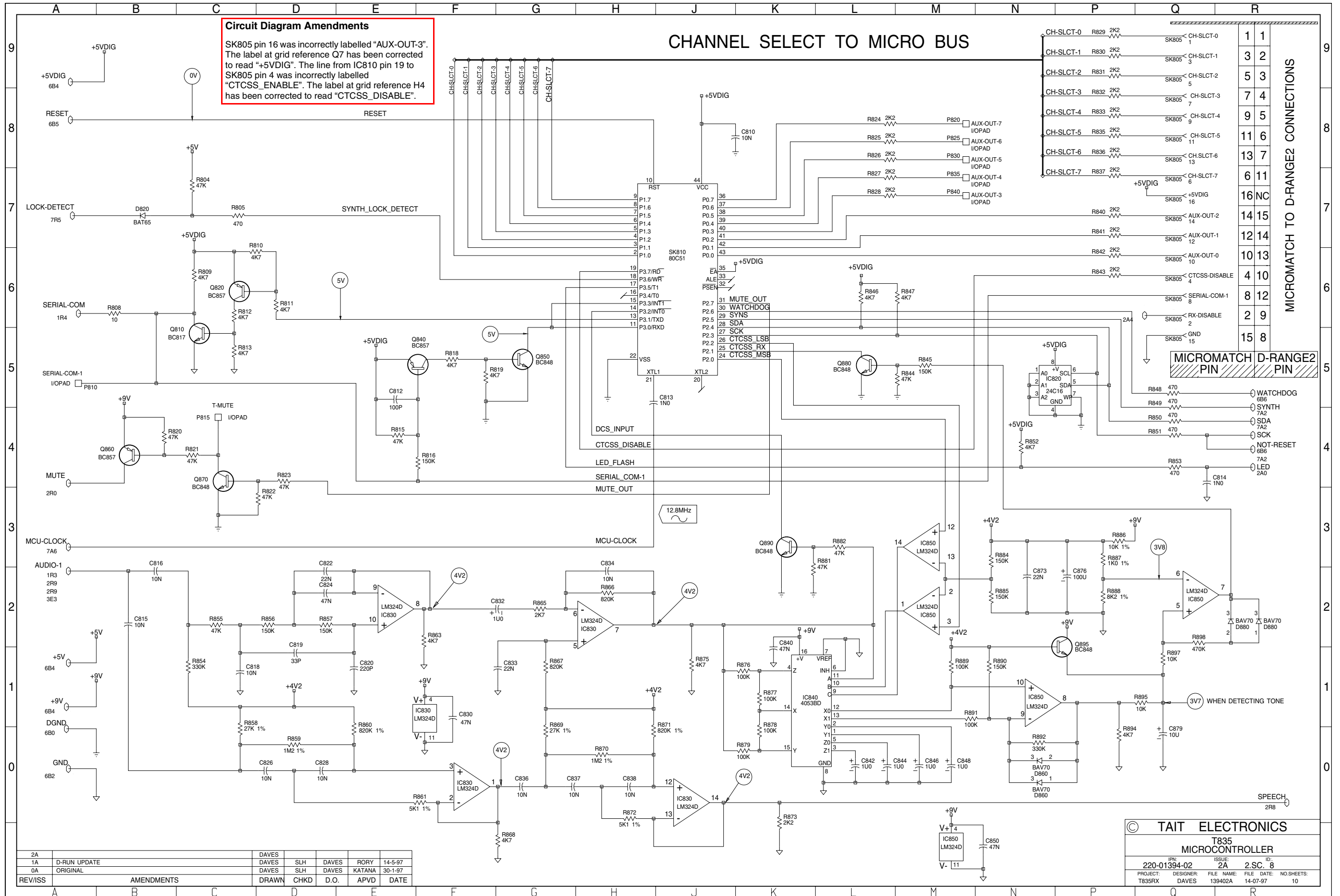
© TAIT ELECTRONICS					
T835 VCO SECTION					
IPN:	220-01394-02	ISSUE:	2A	2.S.C.	5
PROJECT:	T835RX	DESIGNER:	DAVES	FILE NAME:	139402A
				FILE DATE:	14-07-97
				NO.SHEETS:	10



2A	DAVES	DAVES	DAVES	RORY	14-5-97
1A	D-RUN UPDATE	DAVES	SLH	DAVES	KATANA
0A	ORIGINAL	DAVES	SLH	DAVES	30-1-97
REV/ISS	AMENDMENTS	DRAWN	CHKD	D.O.	APVD
					DATE

© TAIT ELECTRONICS					
T835 REGULATORS					
IPN:	220-01394-02	ISSUE:	2A	ID:	6
PROJECT:	T835RX	DESIGNER:	DAVES	FILE NAME:	139402A
		FILE DATE:	14-07-97	NO. SHEETS:	10





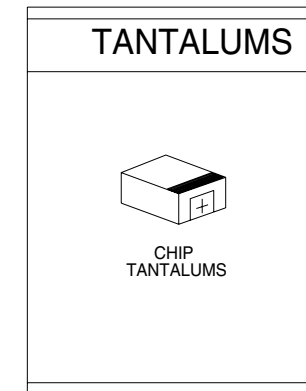
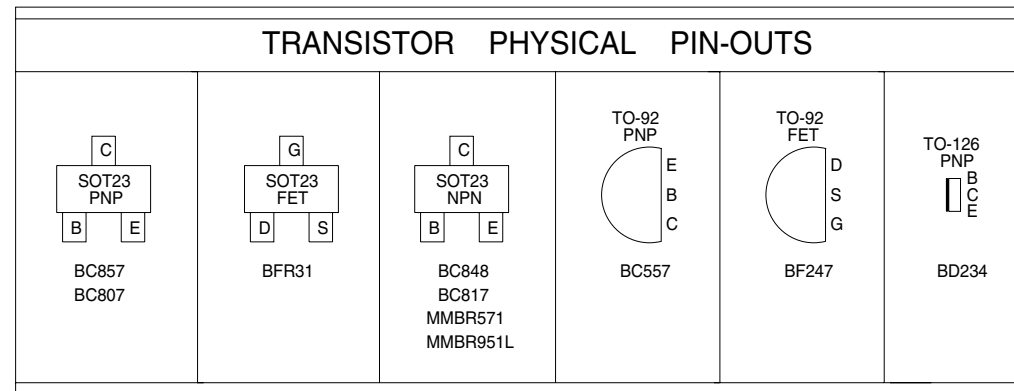
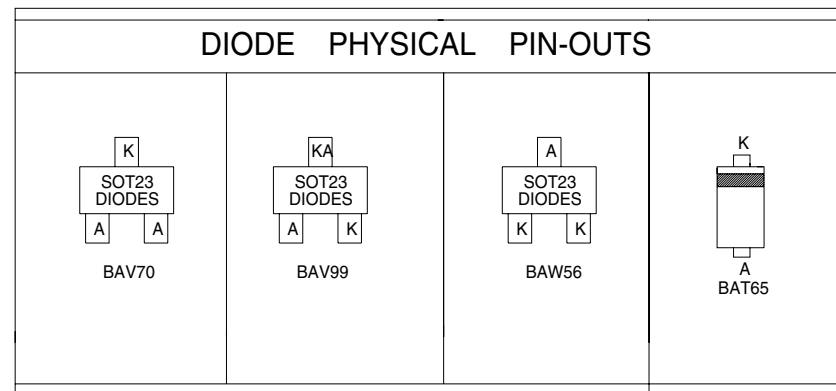
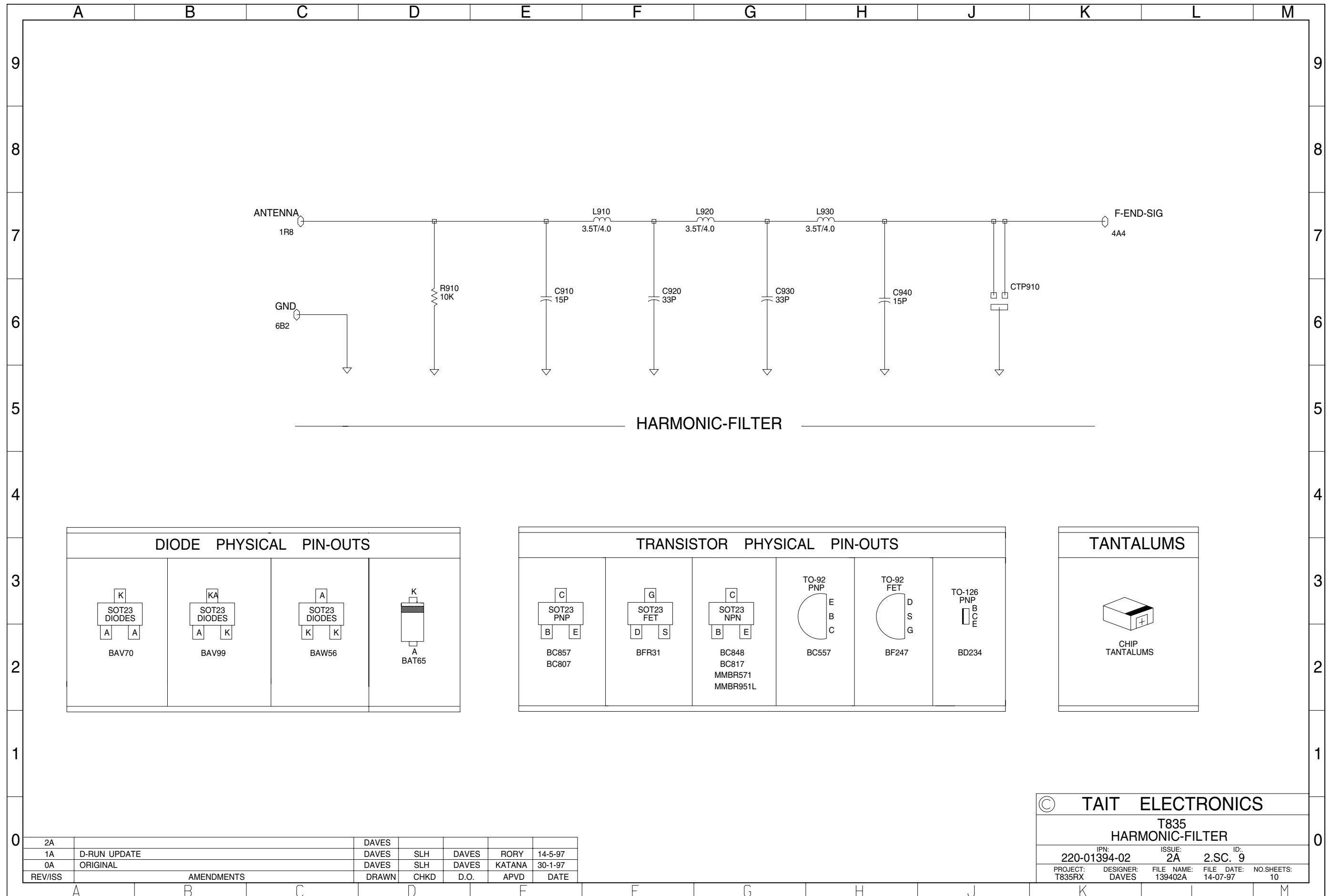
2A	D-RUN UPDATE	DAVES	SLH	DAVES	RORY	14-5-97
1A	ORIGINAL	DAVES	SLH	DAVES	KATANA	30-1-97
REV/ISS	AMENDMENTS	DRAWN	CHKD	D.O.	APVD	DATE

© TAIT ELECTRONICS

T835 MICROCONTROLLER

IPN: 220-01394-02 ISSUE: 2A ID: 2.S.C. 8

PROJECT: T835RX DESIGNER: DAVES FILE NAME: 139402A FILE DATE: 14-07-97 NO.SHEETS: 10



2A		DAVES				
1A	D-RUN UPDATE	DAVES	SLH	DAVES	RORY	14-5-97
0A	ORIGINAL	DAVES	SLH	DAVES	KATANA	30-1-97
REV/ISS	AMENDMENTS	DRAWN	CHKD	D.O.	APVD	DATE

© TAIT ELECTRONICS					
T835 HARMONIC-FILTER					
IPN: 220-01394-02		ISSUE: 2A		ID: 2.SC. 9	
PROJECT: T835RX	DESIGNER: DAVES	FILE NAME: 139402A	FILE DATE: 14-07-97	NO.SHEETS: 10	

